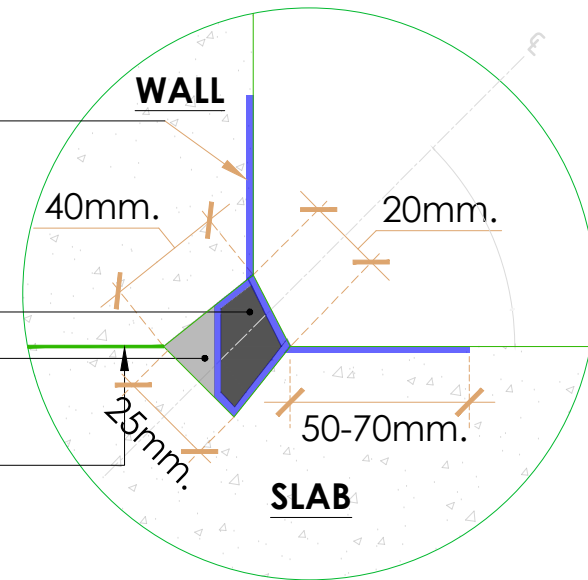


Junction at Horizontal or Vertical joints

PENEPLUG®
 PENETRON® SLURRY COAT
 PENECRETE MORTAR™
 PENEPLUG®
 CONSTRUCTION JOINT



Junction between Wall & Slab



REPAIR OF WET CONSTRUCTION JOINT
 CHOOSE THE SCENARIO THAT APPLIES

DWG: PDN021

REVISION: 01

DATE: 06/04/2020

PENECRETE MORTAR
 PENEPLUG & PENETRON COATING

DRAWING NOT TO SCALE

TYPICAL DETAIL

PENETRON AUSTRALIA
 SUITE 3, 49 HEATHCOTE ROAD
 MOOREBANK, NSW, 2170 AUSTRALIA

COPYRIGHT OF PENETRON AUSTRALIA