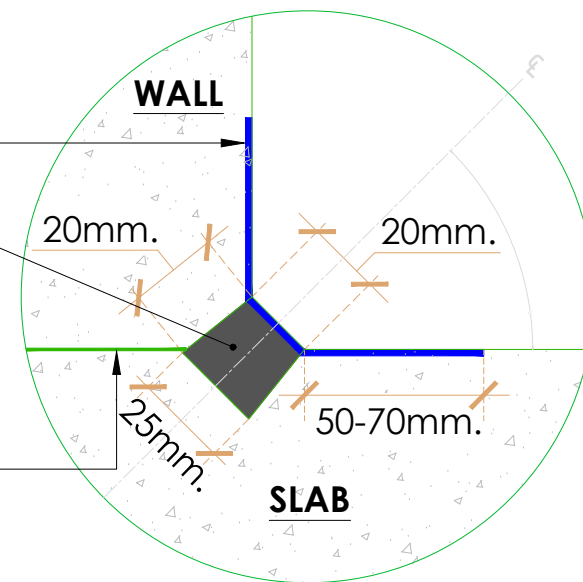


Junction at Horizontal or Vertical joints

PENETRON® SLURRY COAT

PENETRON WATERPLUG

CONSTRUCTION JOINT



Junction between Wall & Slab



REPAIR OF WET CONSTRUCTION JOINT
CHOOSE THE SCENARIO THAT APPLIES

DWG: PDN020

REVISION: 01

DATE: 06/04/2020

PENETRON WATERPLUG

DRAWING NOT TO SCALE

TYPICAL DETAIL

PENETRON AUSTRALIA
SUITE 3, 49 HEATHCOTE ROAD
MOOREBANK, NSW, 2170 AUSTRALIA

COPYRIGHT OF PENETRON AUSTRALIA