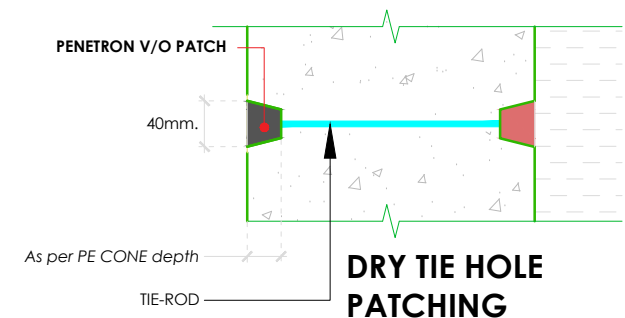
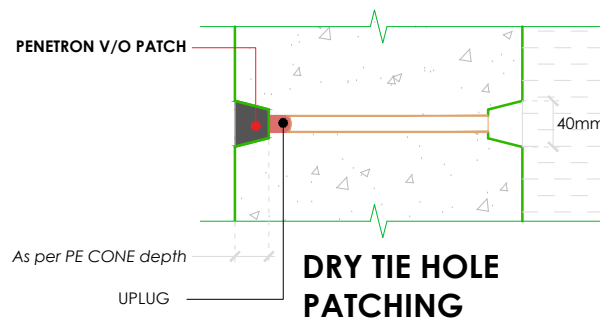
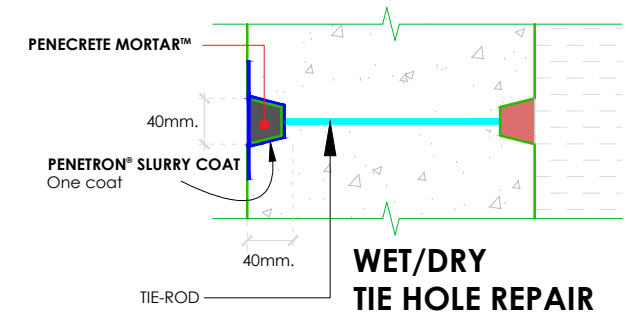
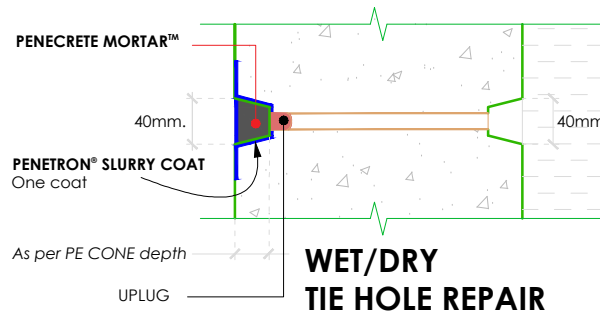
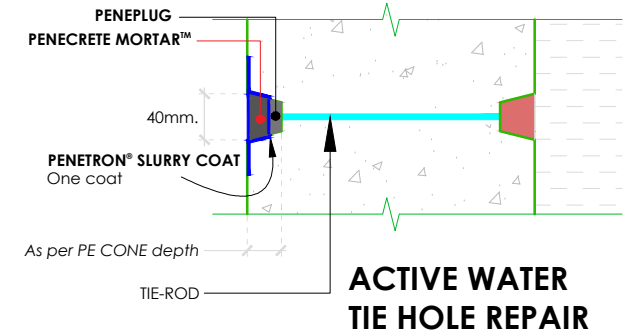
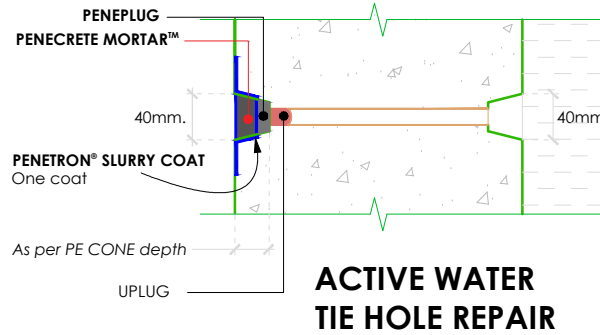


TYPE 1

TYPE 2



TREATMENT OF TIE HOLES WET AND DRY

DWG: PDN025

REVISION: 03

DATE: 20/05/2020

PENECRETE MORTAR
PENETRON COATING
PENEPLUG & PENETRON V/O PATCH

DRAWING NOT TO SCALE

TYPICAL DETAIL

PENETRON AUSTRALIA
SUITE 3, 49 HEATHCOTE ROAD
MOOREBANK, NSW, 2170 AUSTRALIA

COPYRIGHT OF PENETRON AUSTRALIA