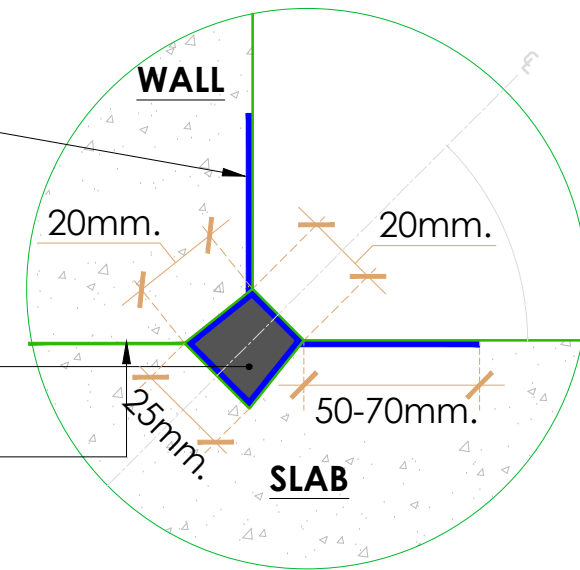


PENETRON® SLURRY COAT

PENECRETE MORTAR™

CONSTRUCTION JOINT



Junction at Horizontal or Vertical joints

Junction between Wall & Slab



REPAIR OF DRY CONSTRUCTION JOINT
CHOOSE THE SCENARIO THAT APPLIES

TYPICAL DETAIL

DWG: PDN022

PENECRETE MORTAR
PENETRON COATING

PENETRON AUSTRALIA
SUITE 3, 49 HEATHCOTE ROAD
MOOREBANK, NSW, 2170 AUSTRALIA

REVISION: 01

DATE: 06/04/2020

DRAWING NOT TO SCALE

COPYRIGHT OF PENETRON AUSTRALIA